



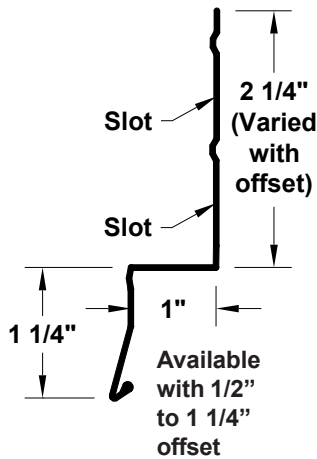
# KLAUER MANUFACTURING COMPANY

**Introducing our New and Improved Starter Strip Products**

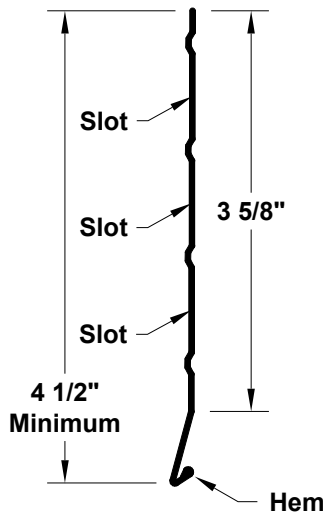
## Features

- Available in Steel and Aluminum
- 4 1/2 and Offset Starter packed 25/Bundle
- 2 1/2, 3 1/2 and Fastening Spline Starter packed 30/Bundle

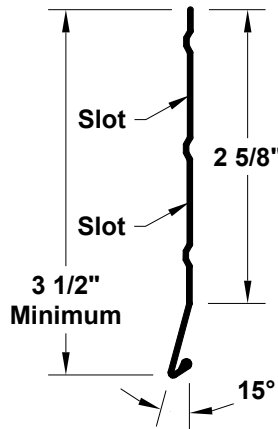
### Insulation offset Starter



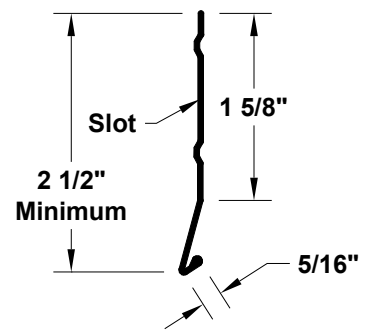
### 4 1/2 Starter



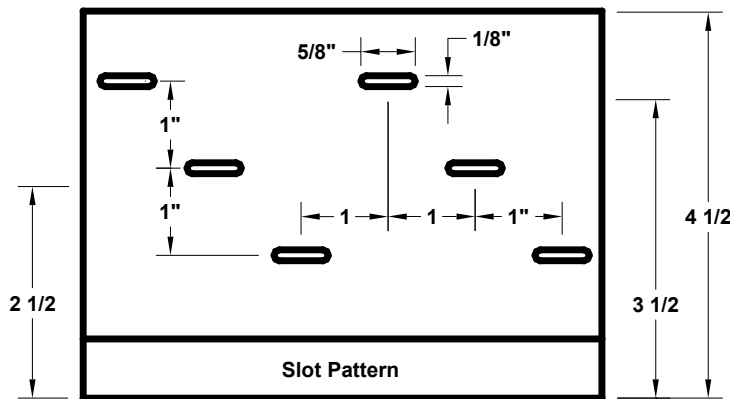
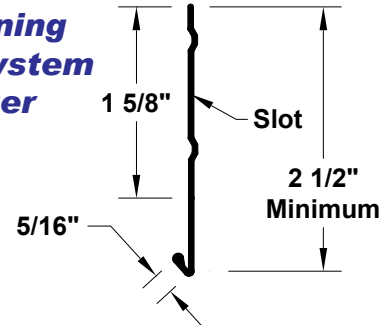
### 3 1/2 Starter



### 2 1/2 Starter



### Fastening Spline system Starter



Klauer Manufacturing Company  
 P.O. Box 59 • Dubuque, Iowa 52004-0059  
 Phone (563)582-7201 • Fax (563)582-2022  
[www.klauer.com](http://www.klauer.com)

