

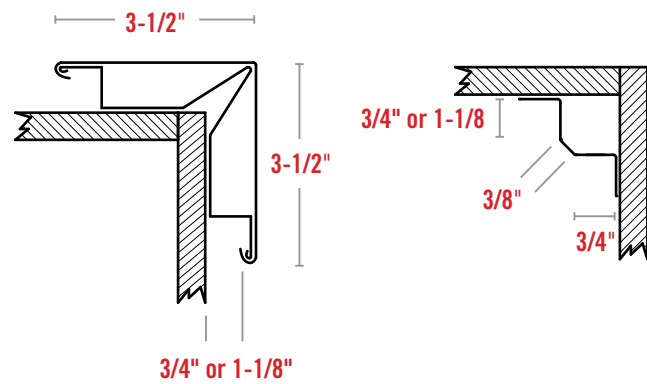


RESIDENTIAL PRODUCTS DIRECTORY



► OUTSIDE CORNER BASE, CAP (SNAP-ON) AND INSIDE CORNER

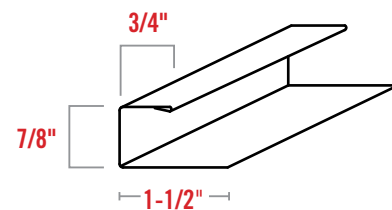
Available in more than 30 colors to match existing Cement Board and Wood Fiber sidings in the industry. Request available colors. Manufactured from Wood-Grain, .021-Thickness Painted Aluminum.



ITEM NUMBER	PRODUCT DESCRIPTION	PACKAGING PER CTN.	WEIGHT PER PIECE
51000-	3/4" Outside Corner Base – 10'	Bulk Pack	1.82 lbs.
51005-	1-1/8" Outside Corner Base – 10'	Bulk Pack	2.03 lbs.
51010-	Outside Corner, Cap (Snap-On) – 10'	10/ctn.	1.70 lbs.
51020-	3/4" Inside Corner – 10'	40/ctn.	.84 lbs.
51025-	1-1/8" Inside Corner – 10'	40/ctn.	1.03 lbs.

► J CHANNEL

Available in more than 30 colors to match existing Cement Board and Wood Fiber sidings in the industry. Request available colors. Manufactured from Wood-Grain, .021-Thickness Painted Aluminum.



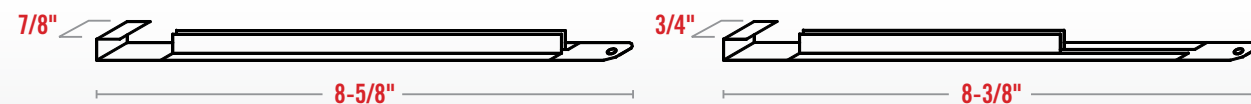
ITEM NUMBER	PRODUCT DESCRIPTION	PACKAGING PER CTN.	WEIGHT PER PIECE
44290-	#2900 J Channel – 12'	20/ctn.	.96 lbs.

► 24" TRIM COIL AND SIDING JOINT COVERS

Available in more than 30 colors to match existing Cement Board and Wood Fiber sidings in the industry. Request available colors. Manufactured from Wood-Grain, .021-Thickness Painted Aluminum. Individually cartoned.



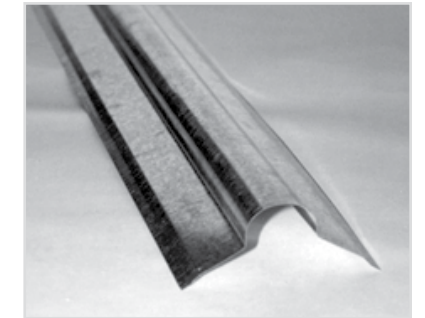
ITEM NUMBER	PRODUCT DESCRIPTION	PACKAGING PER CTN.	WEIGHT PER PIECE
30230-	24" Trim Coil – 50' Roll	1/ctn.	27.00 lbs.
51030-	Siding Joint Covers – 3/4" x 8-3/8"	50/ctn.	.04 lbs.
51035-	Siding Joint Covers – 7/8" x 8-5/8"	50/ctn.	.04 lbs.



► RIDGE ROLL

Available in Galvanized (GV10), Copper (CP16) or Painted. See color series number listing.

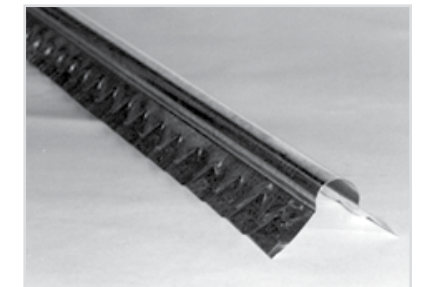
ITEM NUMBER	PRODUCT DESCRIPTION	PACKAGING PER BDL.	WEIGHT PER PIECE
31620-	#202 2" Plain Ridge Roll, 10' 10" Girth	10 pcs.	5.50 lbs.
31630-	#202 2" Plain Ridge Roll, 10' Econ. – L-Ga. 10" Girth	10 pcs.	3.90 lbs.
41300-	#203 14" Ridge Roll, 10' 14" Girth	10 pcs.	7.50 lbs.
41301-	#203 14" Ridge Roll, 10' Econ. – L-Ga. 14" Girth	10 pcs.	6.59 lbs.
41310-	#2033 12" Ridge Roll 10' 12" Girth	10 pcs.	6.50 lbs.
41311-	#2033 12" Ridge Roll, 10' Econ. – L-Ga. 12" Girth	10 pcs.	4.70 lbs.



► CORRUGATED RIDGE ROLL

Available in Galvanized (GV10) and Copper (CP16) only.

ITEM NUMBER	PRODUCT DESCRIPTION	PACKAGING PER BDL.	WEIGHT PER PIECE
34000-GV10	1-1/4" Corrugated Ridge Roll, 10' – 10" Girth	10 pcs.	5.50 lbs.
34010-GV10	1-1/4" Corrugated Ridge Roll, 10' Econ. – L-Ga. – 10" Girth	10 pcs.	3.90 lbs.
34040-GV10	2-1/2" Corrugated Ridge Roll, 10' – 10" Girth	10 pcs.	5.50 lbs.
34050-GV10	2-1/2" Corrugated Ridge Roll, 10' Econ. – L-Ga. – 10" Girth	10 pcs.	3.90 lbs.



► GLOBE FINIAL

Available in Galvanized (GV10) and Copper (CP16) only.

ITEM NUMBER	PRODUCT DESCRIPTION	PACKAGING PER BDL.	WEIGHT PER PIECE
31650-GV10	2" Globe Finial	20 pcs.	.45 lbs.

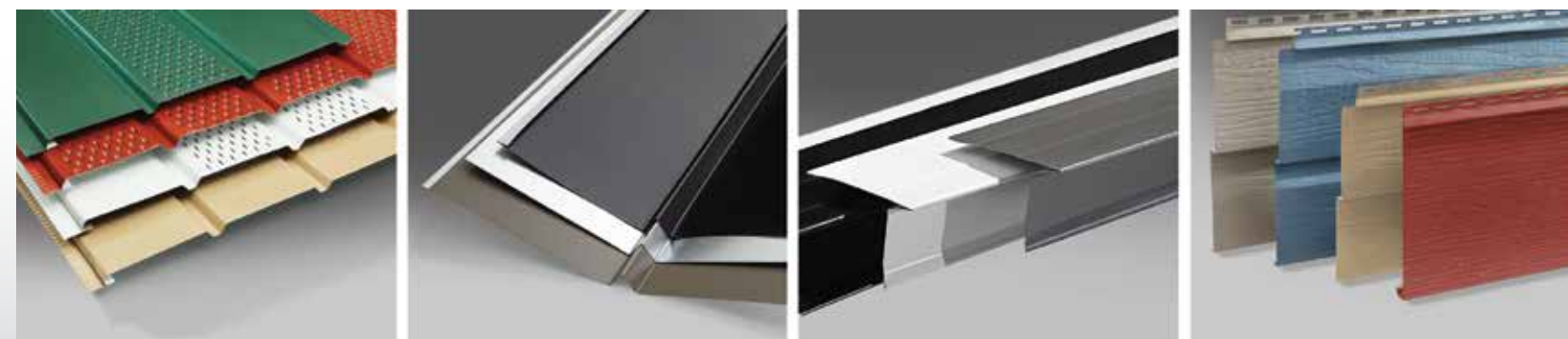




WHEN YOU CHOOSE KLAUER, YOU CHOOSE QUALITY

Klauer Manufacturing Company has a proud history of producing the industry's highest-quality products with an extensive line of options. Evolving over the years, we are pleased to serve the residential, agricultural and light commercial markets. We provide durable, energy-efficient products with easy installation and minimal maintenance to securely protect your assets, and we're confident you'll find we're easy to do business with. On top of that, we have the styles and color options you need for any project design.

Give us a call today at **563.582.7201** to learn more about our superior residential roof flashing and rain-carry equipment, soffit, siding, and metal building panel and trim.





1185 Roosevelt Ext.
PO Box 59
Dubuque, IA 52004-0059
(563) 582.7201
sales@klauer.com

WWW.KLAUER.COM